

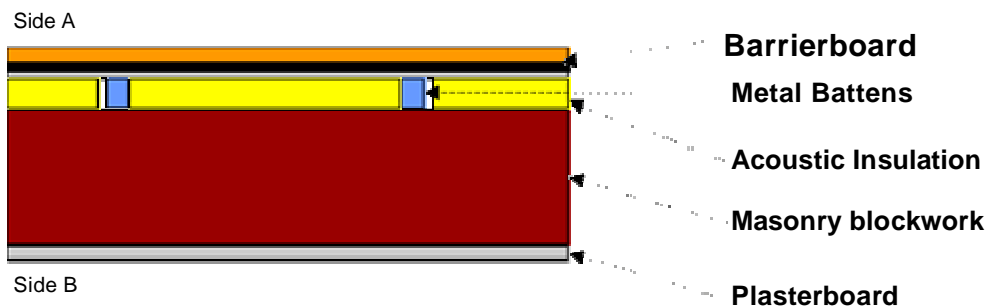
Barrierboard Systems

BBM 2

Rw 60 Ctr -7

Configuration

Barrierboard / Masonry / Plasterboard



Applications - retrofit and new installations

Construction Details

Side A	Barrierboard 1016	FRL rating	Wall thickness	Rw rating
Battens	28mm furring channel			
Insulation	TNC acoustic 2520 polyester	120/120/120	223mm	60 Ctr-7 Tested*
Masonry	CSR/PGH Extruded clay 150 wide			
Side B	13mm direct fixed plasterboard			

Acoustic Performance

Independent tests at National Acoustics Laboratories Report ATF 1165

Frequency Hz	100	125	160	200	250	315	400	500	630	800	1000	1250	1600	2000	2500	3150	4000
	37	39	43	49	52	54	55	56	60	64	66	67	69	72	72	72	76



LIGON 216 PTY LTD ABN 79 003 799 068 trading as **SOUNDBLOCK SOLUTIONS**
 P. O. Box 813, Woollahra NSW 1350
 Tel: 61 2 9327 7410 Fax: 61 2 9327 1077 Mobile: 0418 409 504
 Website: www.soundblock.com.au Email: management@soundblock.com.au